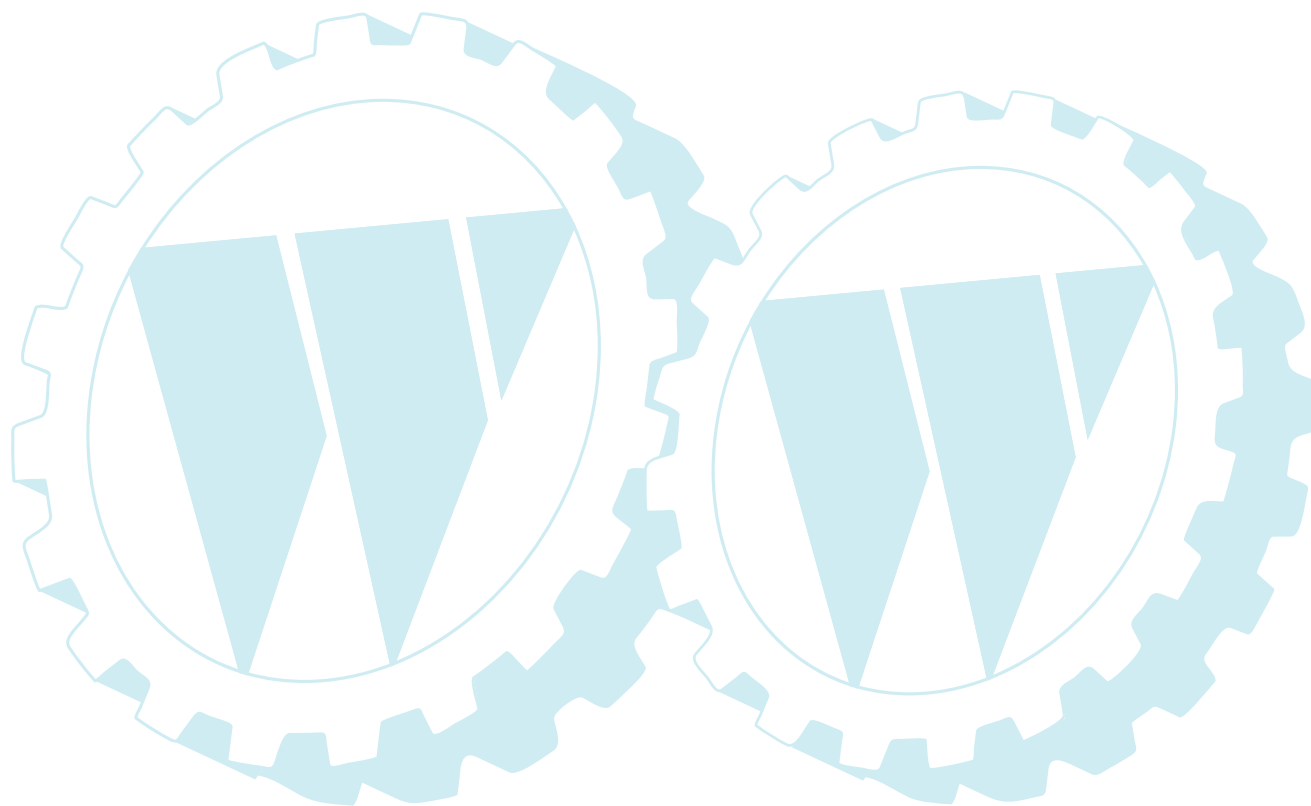


ILLUSTRATED PARTS LIST

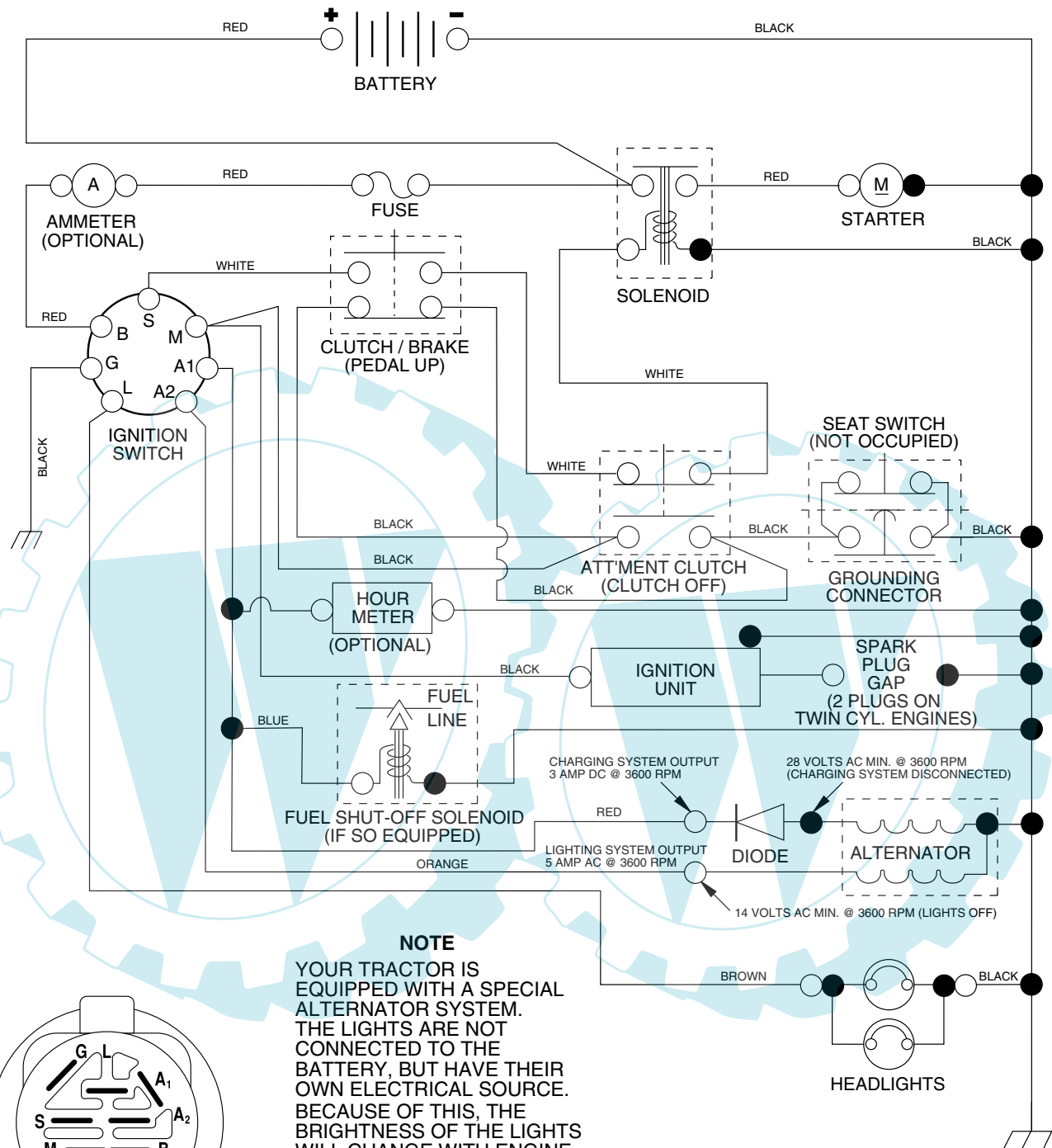
MFG. ID NO. 96011002100

CUSTOMER CATALOG NO. UN135T96K

PRODUCT NO. 960 11 00-21

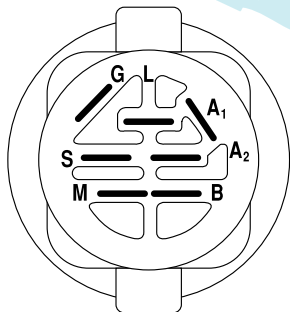


TRACTOR - - MODEL NUMBER UN135T96K (96011002100), PRODUCT NO. 960 11 00-21
SCHEMATIC



NOTE

YOUR TRACTOR IS EQUIPPED WITH A SPECIAL ALTERNATOR SYSTEM. THE LIGHTS ARE NOT CONNECTED TO THE BATTERY, BUT HAVE THEIR OWN ELECTRICAL SOURCE. BECAUSE OF THIS, THE BRIGHTNESS OF THE LIGHTS WILL CHANGE WITH ENGINE SPEED. AT IDLE THE LIGHTS WILL DIM. AS THE ENGINE IS SPEEDED UP, THE LIGHTS WILL BECOME THEIR BRIGHTEST.



IGNITION SWITCH

POSITION	CIRCUIT	"MAKE"
OFF	M+G+A1	NONE
RUN/LIGHT	B+A1	A2+L
RUN	B+A1	NONE
START	B + S + A1	NONE

WIRING INSULATED CLIPS

NOTE: IF WIRING INSULATED CLIPS WERE REMOVED FOR SERVICING OF UNIT, THEY SHOULD BE REPLACED TO PROPERLY SECURE YOUR WIRING.

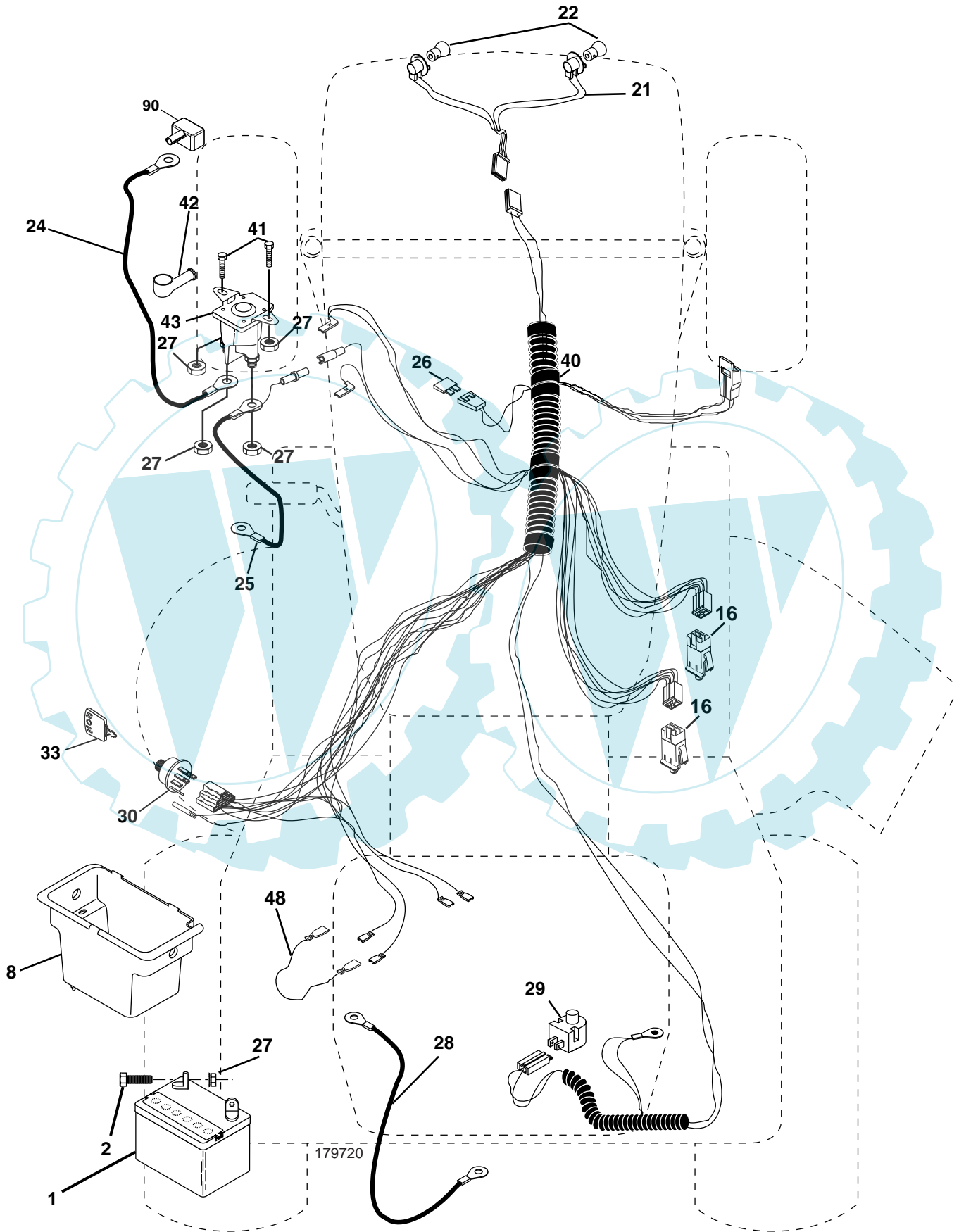
02363

NON-REMOVABLE CONNECTIONS

REMOVABLE CONNECTIONS

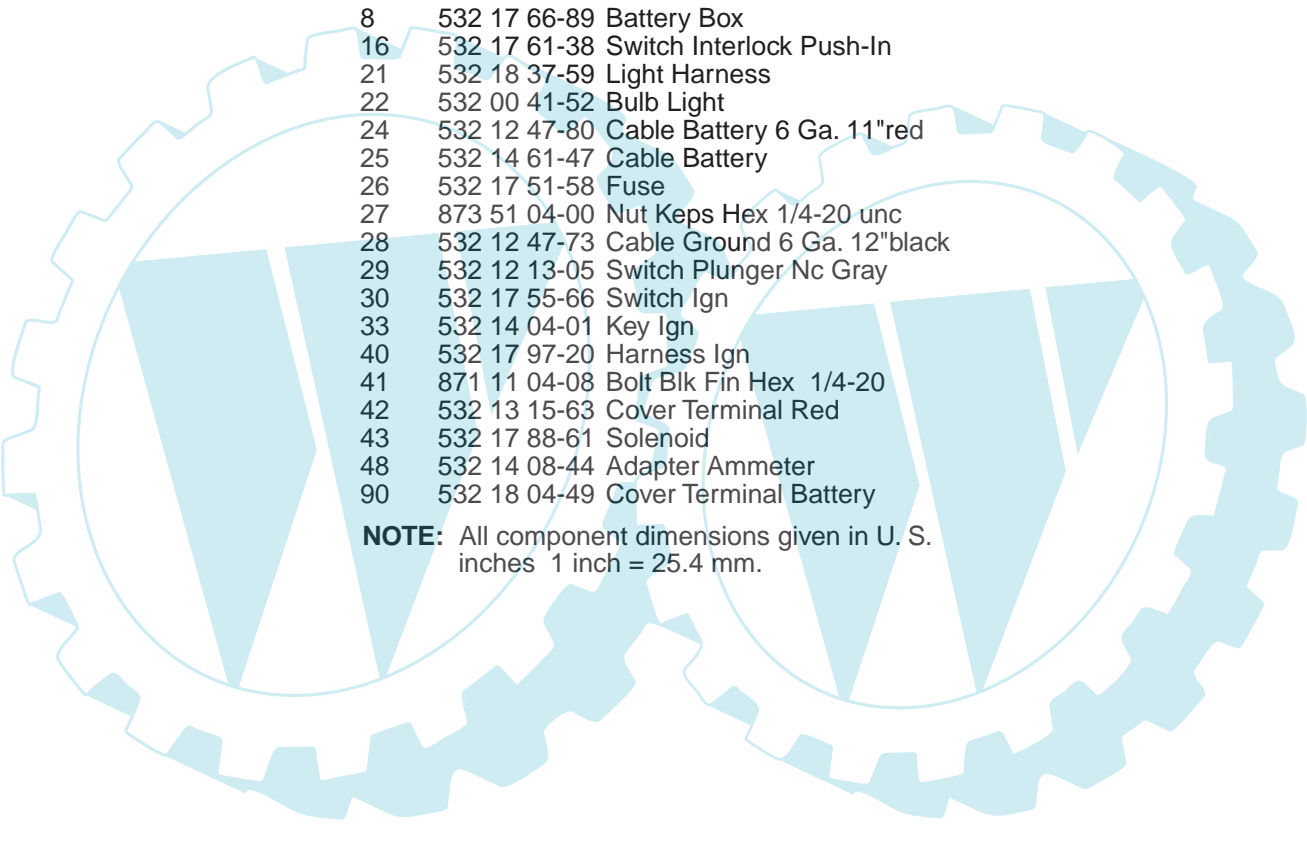
REPAIR PARTS

TRACTOR -- MODEL NUMBER UN135T96K (96011002100), PRODUCT NO. 960 11 00-21
ELECTRICAL



REPAIR PARTS

TRACTOR - - MODEL NUMBER UN135T96K (96011002100), PRODUCT NO. 960 11 00-21
ELECTRICAL

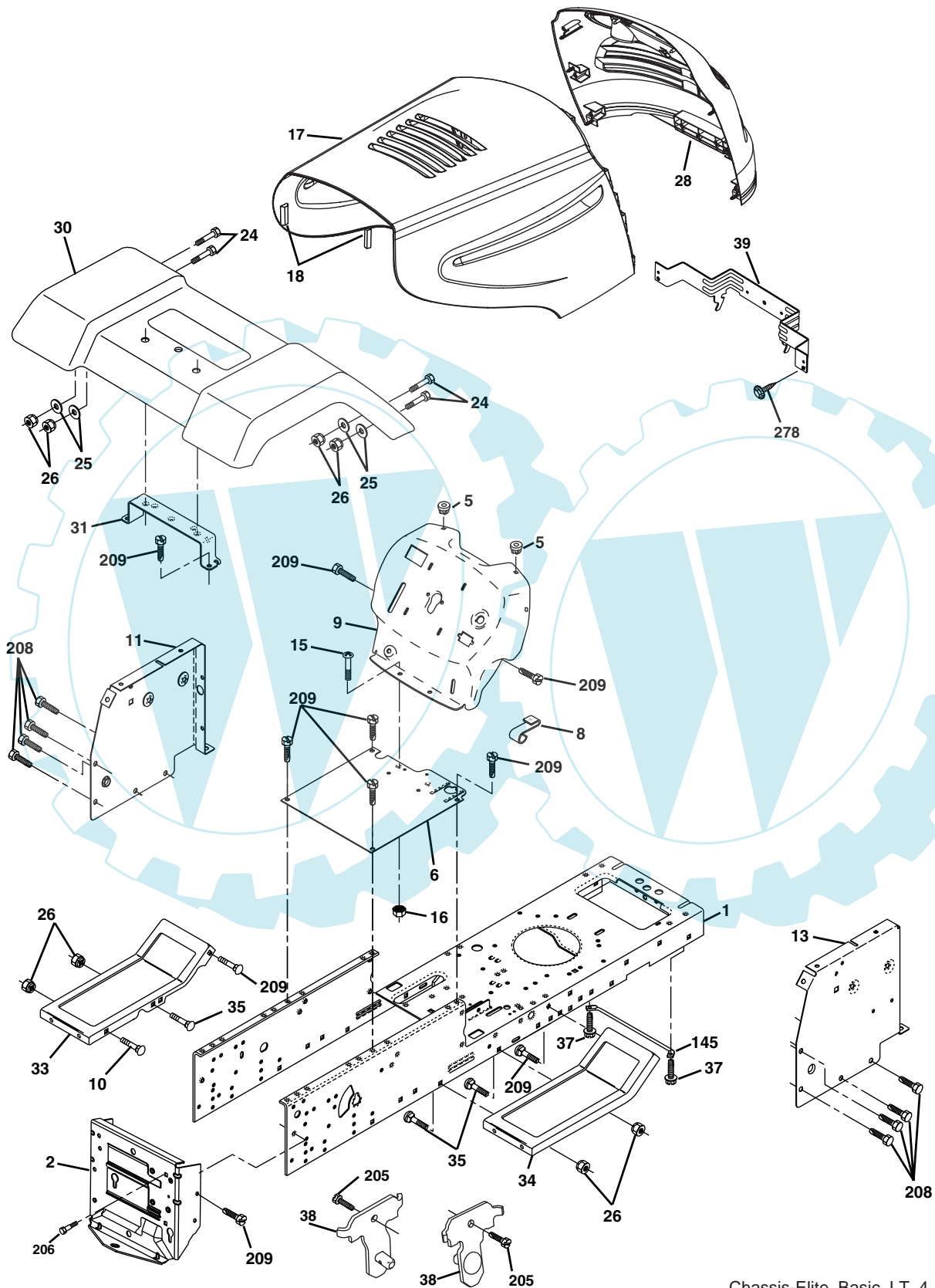


KEY NO.	PART NO.	DESCRIPTION
1	532 16 34-65	Battery 12 Volt 25 Amp
2	874 76 04-12	Bolt Hex Hd 1/4-20 Unc x 3/4
8	532 17 66-89	Battery Box
16	532 17 61-38	Switch Interlock Push-In
21	532 18 37-59	Light Harness
22	532 00 41-52	Bulb Light
24	532 12 47-80	Cable Battery 6 Ga. 11"red
25	532 14 61-47	Cable Battery
26	532 17 51-58	Fuse
27	873 51 04-00	Nut Keps Hex 1/4-20 unc
28	532 12 47-73	Cable Ground 6 Ga. 12"black
29	532 12 13-05	Switch Plunger Nc Gray
30	532 17 55-66	Switch Ign
33	532 14 04-01	Key Ign
40	532 17 97-20	Harness Ign
41	871 11 04-08	Bolt Blk Fin Hex 1/4-20
42	532 13 15-63	Cover Terminal Red
43	532 17 88-61	Solenoid
48	532 14 08-44	Adapter Ammeter
90	532 18 04-49	Cover Terminal Battery

NOTE: All component dimensions given in U. S. inches 1 inch = 25.4 mm.

REPAIR PARTS

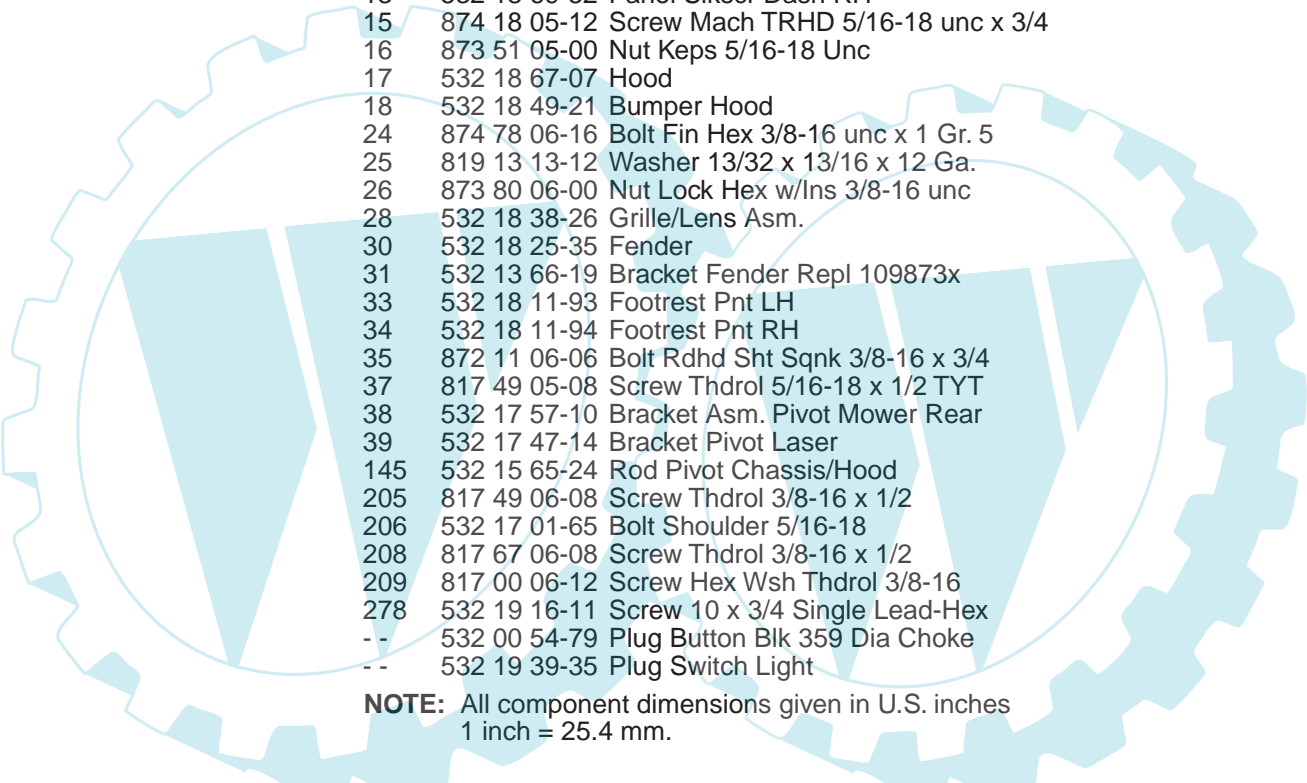
TRACTOR -- MODEL NUMBER UN135T96K (96011002100), PRODUCT NO. 960 11 00-21
CHASSIS AND ENCLOSURES



Chassis-Elite_Basic_LT_4

REPAIR PARTS

TRACTOR - - MODEL NUMBER UN135T96K (96011002100), PRODUCT NO. 960 11 00-21
CHASSIS AND ENCLOSURES

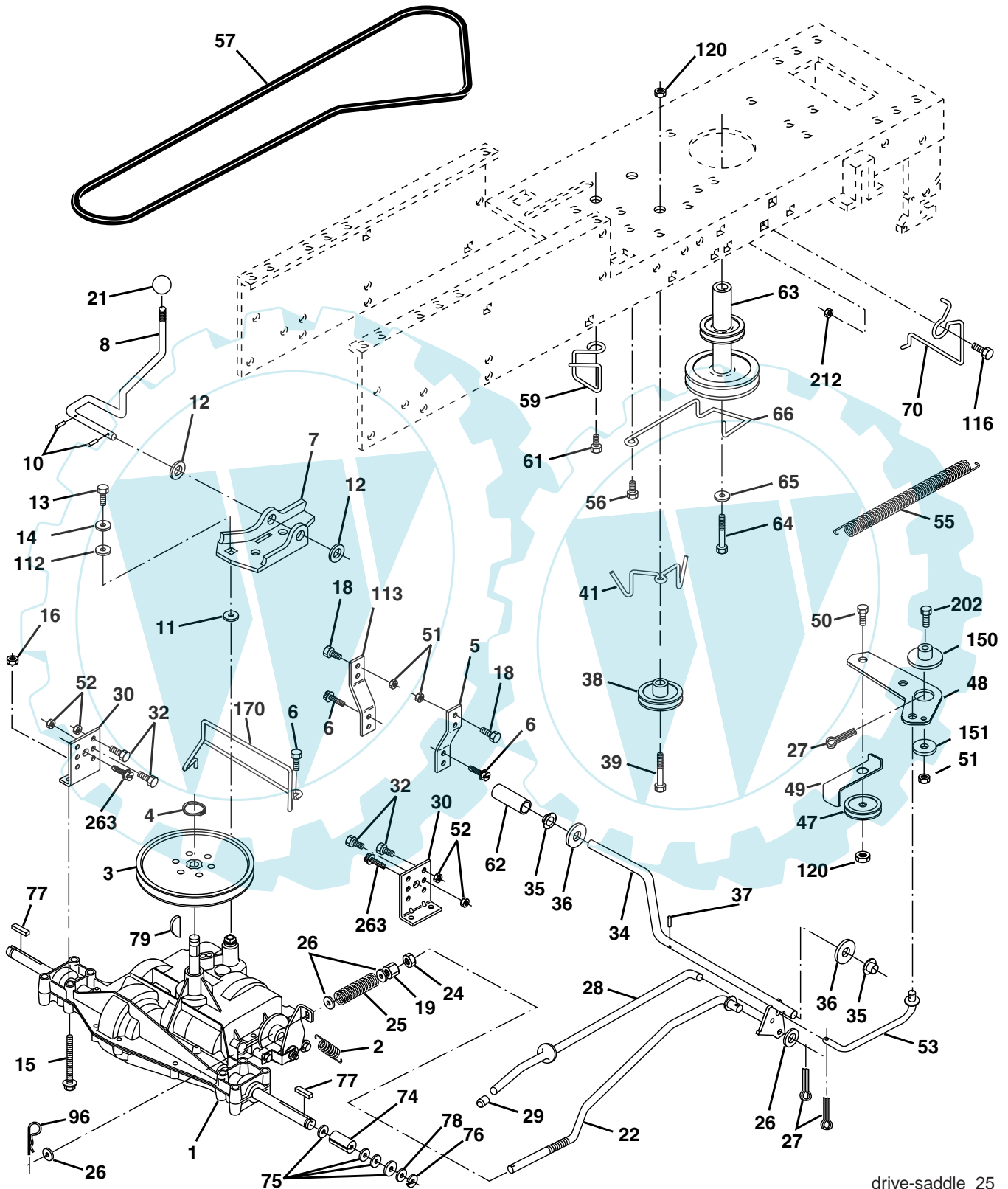


KEY NO.	PART NO.	DESCRIPTION
1	532 17 46-20	Chassis
2	532 17 65-54	Drawbar
5	532 15 52-72	Bumper, Hood/Dash
6	532 18 25-34	Saddle
8	532 15 51-38	Clip Retainer Slide-On
9	532 19 46-88	Dash
10	872 14 06-08	Bolt, Carriage 3/8-16 x 1
11	532 17 49-96	Panel Dash LH
13	532 18 69-52	Panel Slkscr Dash RH
15	874 18 05-12	Screw Mach TRHD 5/16-18 unc x 3/4
16	873 51 05-00	Nut Keps 5/16-18 Unc
17	532 18 67-07	Hood
18	532 18 49-21	Bumper Hood
24	874 78 06-16	Bolt Fin Hex 3/8-16 unc x 1 Gr. 5
25	819 13 13-12	Washer 13/32 x 13/16 x 12 Ga.
26	873 80 06-00	Nut Lock Hex w/Ins 3/8-16 unc
28	532 18 38-26	Grille/Lens Asm.
30	532 18 25-35	Fender
31	532 13 66-19	Bracket Fender Repl 109873x
33	532 18 11-93	Footrest Pnt LH
34	532 18 11-94	Footrest Pnt RH
35	872 11 06-06	Bolt Rdhd Sht Sqnk 3/8-16 x 3/4
37	817 49 05-08	Screw Thdrol 5/16-18 x 1/2 TYT
38	532 17 57-10	Bracket Asm. Pivot Mower Rear
39	532 17 47-14	Bracket Pivot Laser
145	532 15 65-24	Rod Pivot Chassis/Hood
205	817 49 06-08	Screw Thdrol 3/8-16 x 1/2
206	532 17 01-65	Bolt Shoulder 5/16-18
208	817 67 06-08	Screw Thdrol 3/8-16 x 1/2
209	817 00 06-12	Screw Hex Wsh Thdrol 3/8-16
278	532 19 16-11	Screw 10 x 3/4 Single Lead-Hex
--	532 00 54-79	Plug Button Blk 359 Dia Choke
--	532 19 39-35	Plug Switch Light

NOTE: All component dimensions given in U.S. inches
1 inch = 25.4 mm.

REPAIR PARTS

TRACTOR -- MODEL NUMBER UN135T96K (96011002100), PRODUCT NO. 960 11 00-21
DRIVE



drive-saddle_25

REPAIR PARTS

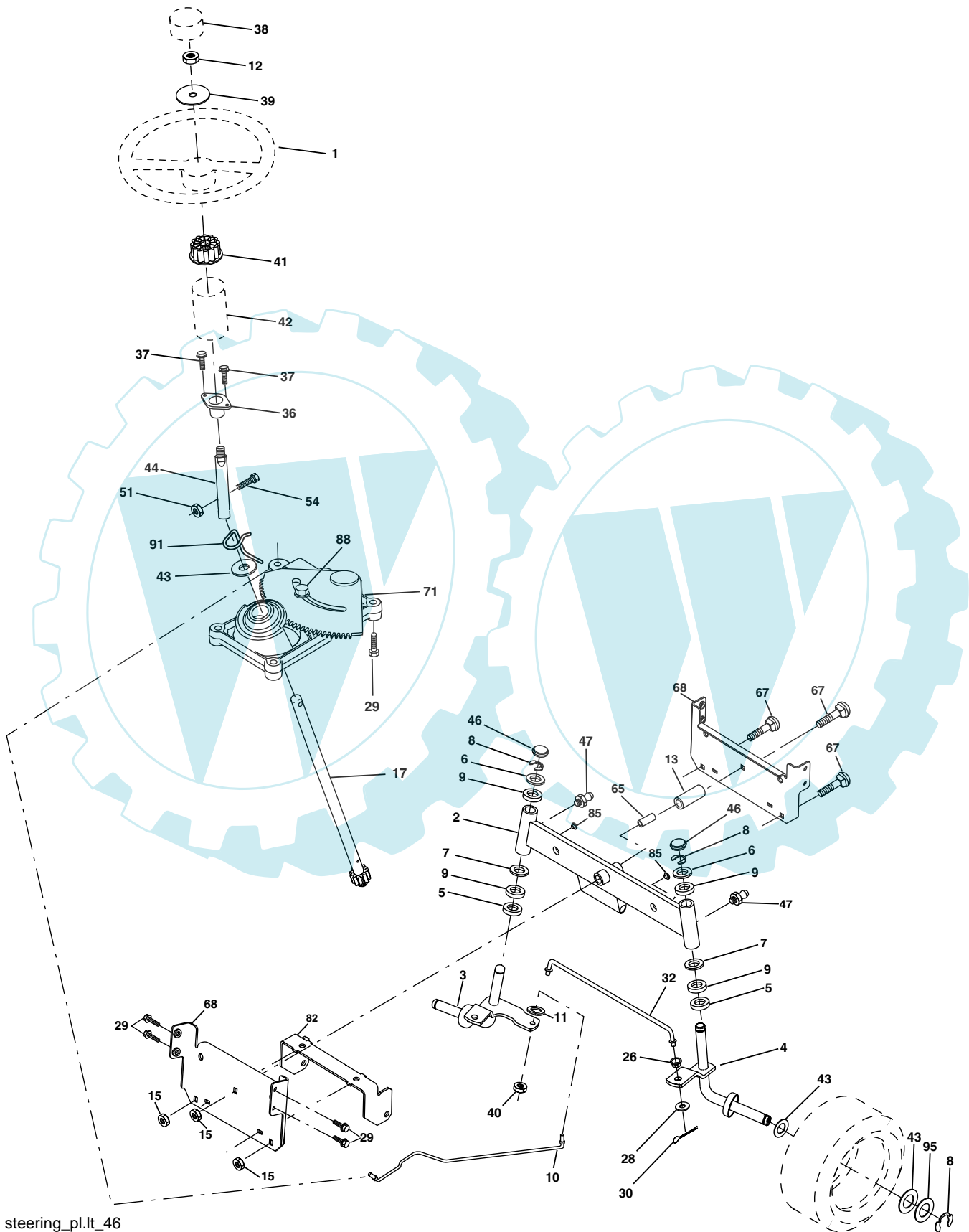
TRACTOR - - MODEL NUMBER UN135T96K (96011002100), PRODUCT NO. 960 11 00-21
DRIVE

KEY NO.	PART NO.	DESCRIPTION	KEY NO.	PART NO.	DESCRIPTION
1	-----	Transaxle, Peerless 205-544C (Order parts from transaxle manufacturer)	48	532 15 44-07	Bellcrank Asm
2	532 14 66-82	Spring Return Brake T/a Zinc	49	532 12 32-05	Retainer Belt Style Spring
3	532 12 36-66	Pulley Transaxle 18" tires	50	872 11 06-12	Bolt Carr Sh 3/8-16 x 1-1/2 Gr. 5
4	812 00 00-28	Ring Retainer # 5100-62	51	873 68 06-00	Nut Crownlock 3/8-16 Unc
5	532 12 15-20	Strap Torque 30 Degrees	52	873 68 05-00	Nut Crownlock 5/16-18 Unc
6	817 00 05-12	Screw 5/16-18 x 3/4	53	532 10 57-10	Link Clutch
7	532 16 22-40	Bracket T/A Saddle Shift	55	532 10 57-09	Spring Return Clutch 6 75
8	532 13 16-79	Rod Shifter	56	817 06 06-20	Screw 3/8-16 x 1-1/4
10	876 02 04-16	Pin Cotter 1/8 x 1 Cad	57	532 13 08-01	V-Belt Ground Drive
11	532 10 57-01	Washer Plate Shf 388 Sq Hole	59	532 16 96-91	Keeper Belt Span Ctr
12	819 15 12-16	Washer 15/32 x 3/4 x 16	61	817 12 06-14	Screw 3/8-16 x .875
13	874 55 04-12	Bolt 1/4-28 Unf Gr 8 W/Patch	62	532 12 48-72	Cover Pedal Blk Round
14	810 04 04-00	Washer Lock Hvy Helical 1/4	63	532 18 02-19	Engine Pulley
15	874 49 05-44	Bolt Hex Fighd 5/16-18 Gr. 5	64	532 17 39-37	Bolt Hex
16	873 80 05-00	Nut Lock Hx W/Ins 5/16-18 Unc	65	810 04 07-00	Washer Lock Hvy Hlcl Spr 7/16
18	874 78 06-16	Bolt, Fin Hex 3/8-16 Unc x 1 Gr. 5	66	532 15 47-78	Keeper Belt Engine Foolproof
19	873 80 06-00	Nut Lock 3/8-16 Unc	70	532 18 02-18	Guide Belt Mower Drive RH
21	532 10 69-33	Knob	74	532 13 70-57	Spacer Axle
22	532 13 08-04	Rod Brake Blk Zinc 26 840	75	532 12 17-49	Washer 25/32 x 1 1/4 x 16 Ga
24	873 35 06-00	Nut Hex Jam 3/8-16 Unc	76	812 00 00-01	E-ring #5133-75
25	532 10 68-88	Spring Rod Brake 2 00 Zinc	77	532 12 35-83	Key Square 2 0 x 1845/ 1865
26	819 13 13-16	Washer 13/32 x 13/16 x 16 Ga	78	532 12 17-48	Washer 25/32 x 1-5/8 x 16 Ga
27	876 02 04-12	Pin Cotter 1/8 x 3/4 Cad	79	532 12 50-96	Key Woodruff
28	532 17 57-65	Rod Brake Parking	96	532 12 47-88	Retainer Spring 1"
29	532 07 16-73	Cap Brake Parking	112	819 09 12-10	Washer 9/32 x 3/4 x 10 Ga.
30	532 17 49-73	Bracket Mtg Transaxle	113	532 12 72-85	Strap Torque Lh
32	874 76 05-12	Bolt Hex Hd 5/16-18unc x 3/4	116	872 14 06-08	Bolt Rdhd Sq Neck 3/8-16 x 1.00
34	532 17 55-78	Shaft Asm Pedal Foot	120	873 90 06-00	Nut Lock Flg 3/8-16
35	532 12 01-83	Bearing Nylon Blk 629 Id	150	532 17 54-56	Spacer Retainer
36	819 21 16-16	Washer 21/32 x 1 x 16 Ga	151	819 13 32-10	Washer 13/32 x 2 x 10
37	532 12 49-63	Pin Roll 3/16 x 1"	170	532 18 74-14	Keeper Belt T/A
38	532 17 91-14	Pulley Idler Composite	202	872 11 06-14	Bolt, 3/8 - 16 x 1-3/4 Gr. 5
39	872 11 06-22	Bolt Rdhd 3/8-16 Unc x 2-3/4 Gr. 5	212	532 14 52-12	Nut Flange Hex Lock
41	532 17 55-56	Keeper Belt Retainer Idler	263	817 00 06-12	Screw 3/8-16 x 3/4
47	532 12 77-83	Pulley Idler V Groove Plastic			

NOTE: All component dimensions given in U.S. inches
1 inch = 25.4 mm

REPAIR PARTS

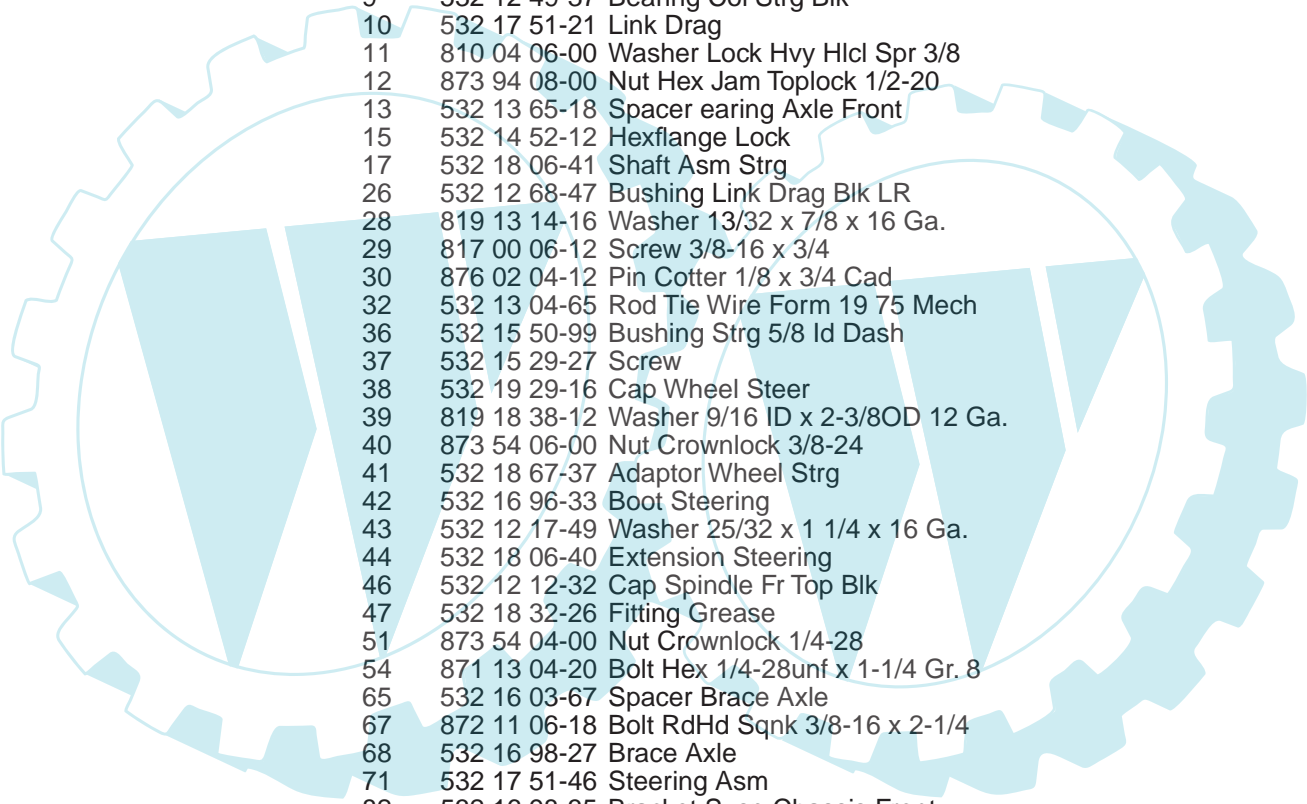
TRACTOR -- MODEL NUMBER UN135T96K (96011002100), PRODUCT NO. 960 11 00-21
STEERING



steering_pl.lt_46

REPAIR PARTS

TRACTOR - - MODEL NUMBER UN135T96K (96011002100), PRODUCT NO. 960 11 00-21
STEERING

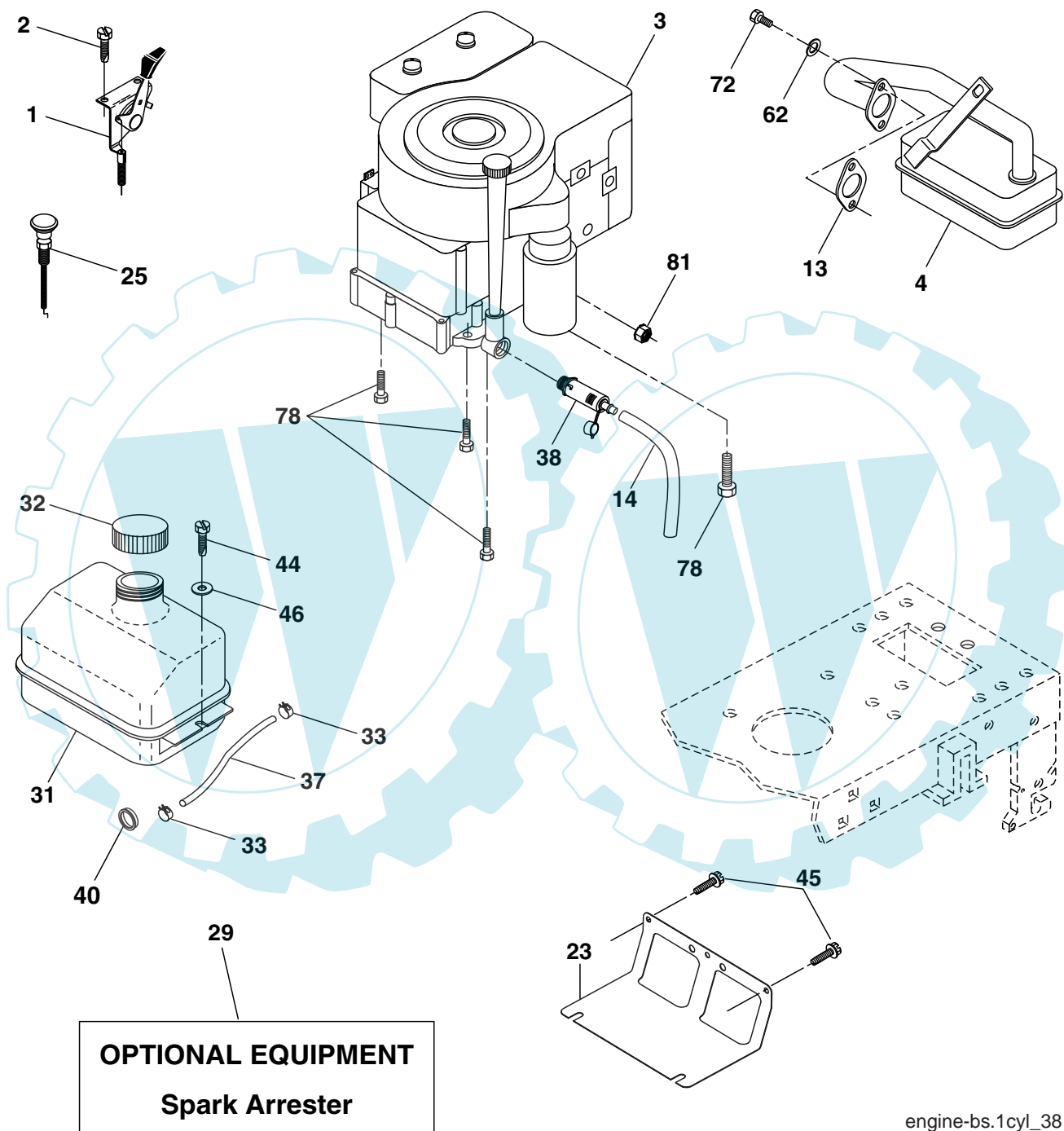


KEY NO.	PART NO.	DESCRIPTION
1	532 18 67-80	Wheel Steering
2	532 17 51-31	Axle Asm
3	532 16 98-40	Spindle Asm LH
4	532 16 98-39	Spindle Asm RH
5	532 12 49-31	Bearing Race Thrust Harden
6	532 12 17-48	Washer 25/32 x 1-5/8 x 16 Ga.
7	819 27 20-16	Washer 27/32 x 1-1/4 x 16 Ga.
8	812 00 00-29	Ring Klip #t5304-75
9	532 12 49-37	Bearing Col Strg Blk
10	532 17 51-21	Link Drag
11	810 04 06-00	Washer Lock Hvy Hlcl Spr 3/8
12	873 94 08-00	Nut Hex Jam Toplock 1/2-20
13	532 13 65-18	Spacer earing Axle Front
15	532 14 52-12	Hexflange Lock
17	532 18 06-41	Shaft Asm Strg
26	532 12 68-47	Bushing Link Drag Blk LR
28	819 13 14-16	Washer 13/32 x 7/8 x 16 Ga.
29	817 00 06-12	Screw 3/8-16 x 3/4
30	876 02 04-12	Pin Cotter 1/8 x 3/4 Cad
32	532 13 04-65	Rod Tie Wire Form 19 75 Mech
36	532 15 50-99	Bushing Strg 5/8 Id Dash
37	532 15 29-27	Screw
38	532 19 29-16	Cap Wheel Steer
39	819 18 38-12	Washer 9/16 ID x 2-3/8OD 12 Ga.
40	873 54 06-00	Nut Crownlock 3/8-24
41	532 18 67-37	Adaptor Wheel Strg
42	532 16 96-33	Boot Steering
43	532 12 17-49	Washer 25/32 x 1 1/4 x 16 Ga.
44	532 18 06-40	Extension Steering
46	532 12 12-32	Cap Spindle Fr Top Blk
47	532 18 32-26	Fitting Grease
51	873 54 04-00	Nut Crownlock 1/4-28
54	871 13 04-20	Bolt Hex 1/4-28unf x 1-1/4 Gr. 8
65	532 16 03-67	Spacer Brace Axle
67	872 11 06-18	Bolt RdHd Sqnk 3/8-16 x 2-1/4
68	532 16 98-27	Brace Axle
71	532 17 51-46	Steering Asm
82	532 16 98-35	Bracket Susp Chassis Front
85	532 13 38-35	Fastener Christmas Tree
88	532 17 51-18	Bolt shoulder 7/16-20
91	532 17 55-53	Clip Steering
95	532 18 89-67	Washer Hardened

NOTE: All component dimensions given in U.S. inches
1 inch = 25.4 mm.

REPAIR PARTS

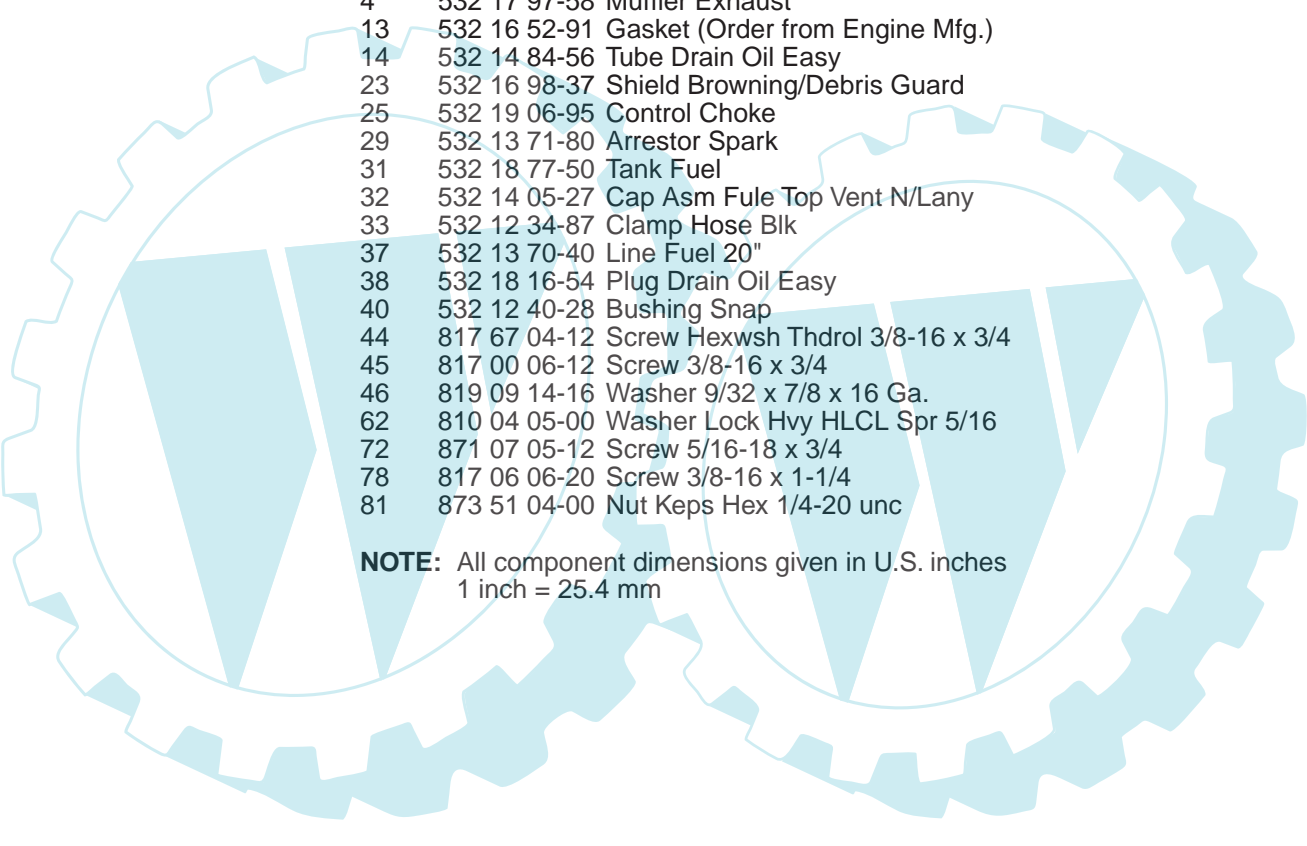
TRACTOR - - MODEL NUMBER UN135T96K (96011002100), PRODUCT NO. 960 11 00-21
ENGINE



engine-bs.1cyl_38

REPAIR PARTS

TRACTOR - - MODEL NUMBER UN135T96K (96011002100), PRODUCT NO. 960 11 00-21
ENGINE

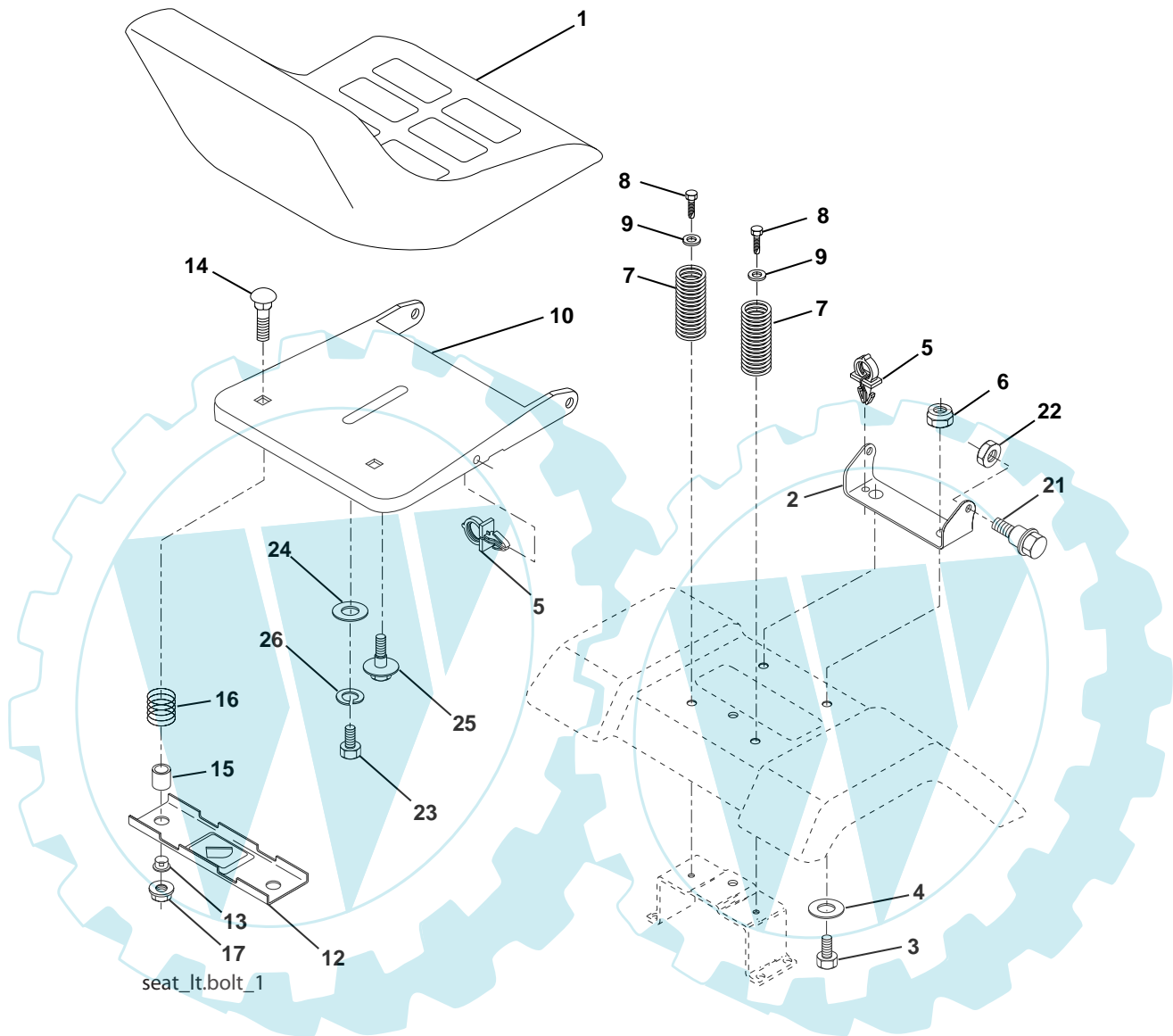


KEY NO.	PART NO.	DESCRIPTION
1	532 17 05-51	Control Throt /Ch
2	817 72 04-08	Screw Hex Thd Cut 1/4-20 x 5/8 T
3	-----	Engine Briggs Model 21B807 (Order Parts from Engine Manufacturer)
4	532 17 97-58	Muffler Exhaust
13	532 16 52-91	Gasket (Order from Engine Mfg.)
14	532 14 84-56	Tube Drain Oil Easy
23	532 16 98-37	Shield Browning/Debris Guard
25	532 19 06-95	Control Choke
29	532 13 71-80	Arrestor Spark
31	532 18 77-50	Tank Fuel
32	532 14 05-27	Cap Asm Fule Top Vent N/Lany
33	532 12 34-87	Clamp Hose Blk
37	532 13 70-40	Line Fuel 20"
38	532 18 16-54	Plug Drain Oil Easy
40	532 12 40-28	Bushing Snap
44	817 67 04-12	Screw Hexwsh Thdrol 3/8-16 x 3/4
45	817 00 06-12	Screw 3/8-16 x 3/4
46	819 09 14-16	Washer 9/32 x 7/8 x 16 Ga.
62	810 04 05-00	Washer Lock Hvy HLCL Spr 5/16
72	871 07 05-12	Screw 5/16-18 x 3/4
78	817 06 06-20	Screw 3/8-16 x 1-1/4
81	873 51 04-00	Nut Keps Hex 1/4-20 unc

NOTE: All component dimensions given in U.S. inches
1 inch = 25.4 mm

REPAIR PARTS

TRACTOR -- MODEL NUMBER UN135T96K (96011002100), PRODUCT NO. 960 11 00-21 SEAT



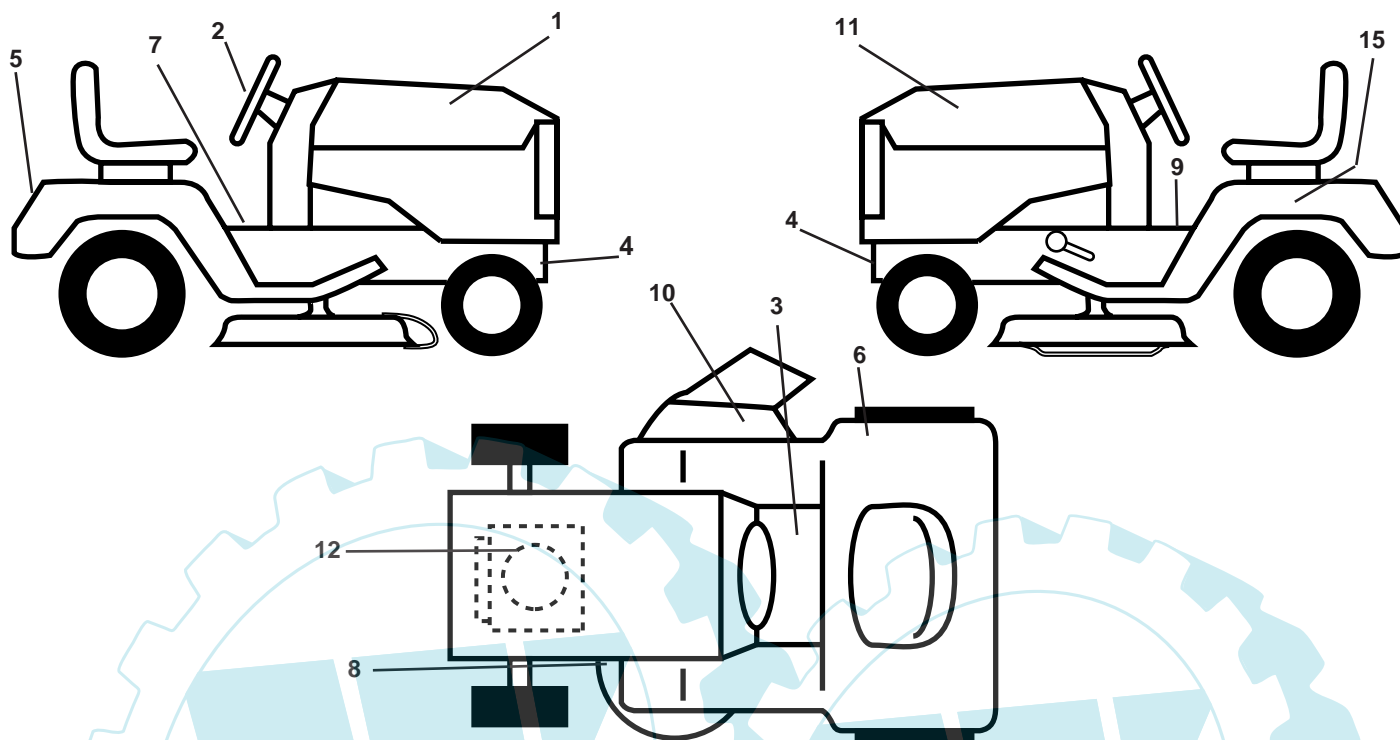
KEY NO.	PART NO.	DESCRIPTION
1	532 17 53-89	Seat
2	532 14 05-51	Bracket Seat Pivot
3	871 11 06-16	Bolt Hex 3/8 - 16 x 1
4	819 13 16-10	Washer 13/32 x 1 x 10 Ga.
5	532 14 50-06	Clip Push-In Hinged
6	873 80 06-00	Nut Lock Hex w/Ins 3/8 - 16
7	532 12 41-81	Spring Seat Cprsn 2 250 Blk Zi
8	817 00 06-16	Screw 3/8-16 x 1.5
9	819 13 16-14	Washer 13/32 x 1 x 14 Ga.
10	532 18 24-93	Pan Pnt Seat (Blk)
12	532 12 12-46	Bracket Pnt Mounting Switch
13	532 12 12-48	Bushing Snap Blk Nyl

KEY NO.	PART NO.	DESCRIPTION
14	872 05 04-12	Bolt Rdhd Sht Nk 1/4 - 20 x 1 -1/2
15	532 13 43-00	Spacer Split .28 x .96
16	532 12 12-50	Spring Cprsn
17	532 12 39-76	Nut Lock 1/4 Lge Flg
21	532 17 18-52	Bolt Shoulder 5/16-18 unc-2A
22	873 80 05-00	Nut Lock Hex w/Ins 5/16 - 18
23	871 11 08-14	Bolt Hex Black
24	819 17 19-12	Washer 17/32 x 1-3/16 x 12 Ga.
25	532 12 70-18	Bolt Shoulder 5/16-18 x .62
26	810 04 08-00	Washer Lock Hvy Hlcl Spr 1/2

NOTE: All component dimensions given in U.S. inches
1 inch = 25.4 mm.

REPAIR PARTS

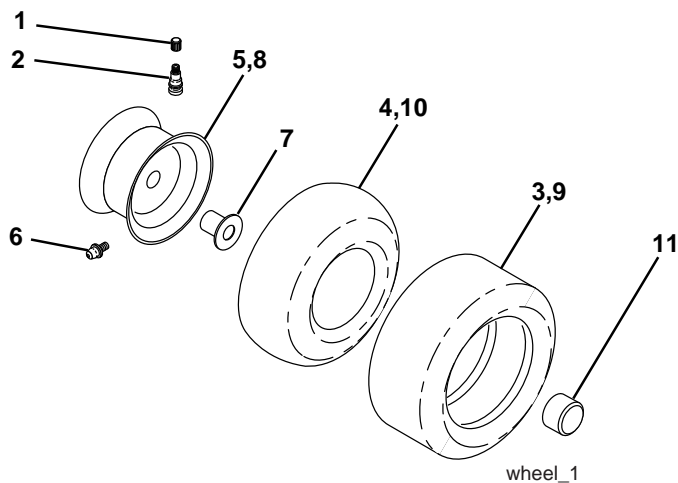
TRACTOR -- MODEL NUMBER UN135T96K (96011002100), PRODUCT NO. 960 11 00-21
DECALS



KEY NO.	PART NO.	DESCRIPTION
1	532 19 44-75	Decal Hood RH
2	532 19 44-78	Decal, Steering Wheel
3	532 15 97-37	Decal, Brake/Clutch
4	532 15 97-36	Decal, Hot Muffler
5	532 19 44-77	Decal, Fender
6	532 18 04-32	Decal, DB/CE
7	532 14 54-98	Decal, Read Owner's Manual
8	532 13 68-32	Decal, V-Belt Sch.

KEY NO.	PART NO.	DESCRIPTION
9	532 14 08-37	Decal, Parking Brake
10	532 18 21-66	Decal, Cut Finger
11	532 19 44-76	Decal, Hood LH
12	532 18 94-55	Decal, Engine
15	532 14 50-05	Decal, Caution, Battery
--	532 16 25-98	Decal, Drawbar
--	532 13 83-11	Decal, Handle Lft Height Adj.
--	532 18 51-49	Manual, Operator's (Euro)

WHEELS & TIRES

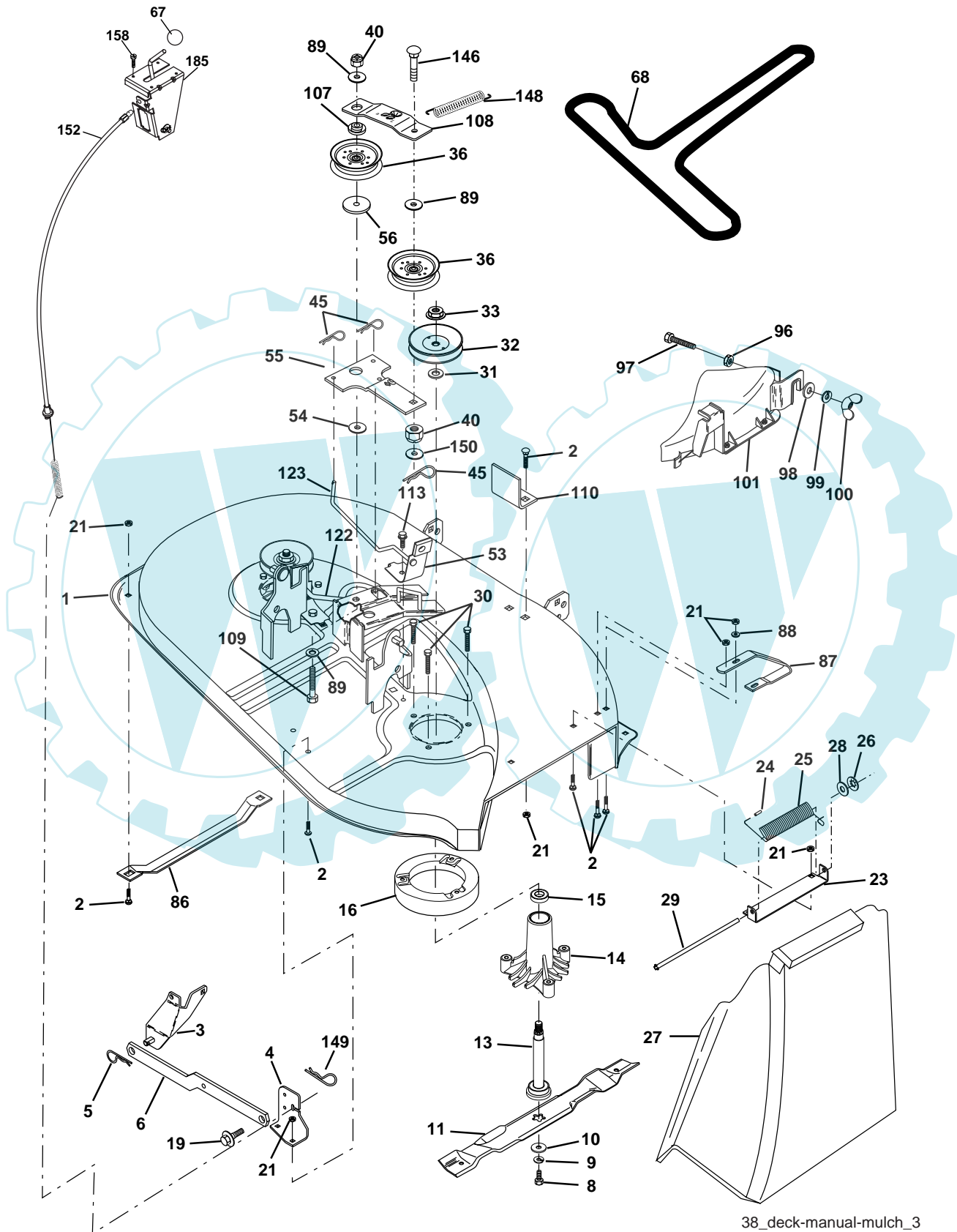


KEY NO.	PART NO.	DESCRIPTION
1	532 05 91-92	Cap, Tire valve
2	532 06 51-39	Stem, Valve
3	532 12 41-57	Tire, Front
4	532 05 99-04	Tube, Front (Service item only)
5	532 18 33-37	Rim assembly, 6" front
6	532 12 49-57	Fitting, Grease (Front wheel only)
7	532 12 49-59	Bearing, Flange (Front wheel only)
8	532 18 33-38	Rim assembly, 8" rear
9	532 12 39-69	Tire, Rear
10	532 12 49-26	Tube, Rear (Service item only)
11	532 17 50-39	Cap, Hub Axle
--	532 14 43-34	Sealant, Tire (10 oz. Tube)

NOTE: All component dimensions given in U.S. inches
1 inch = 25.4 mm

REPAIR PARTS

TRACTOR - - MODEL NUMBER UN135T96K (96011002100), PRODUCT NO. 960 11 00-21
MOWER DECK



38_deck-manual-mulch_3

REPAIR PARTS

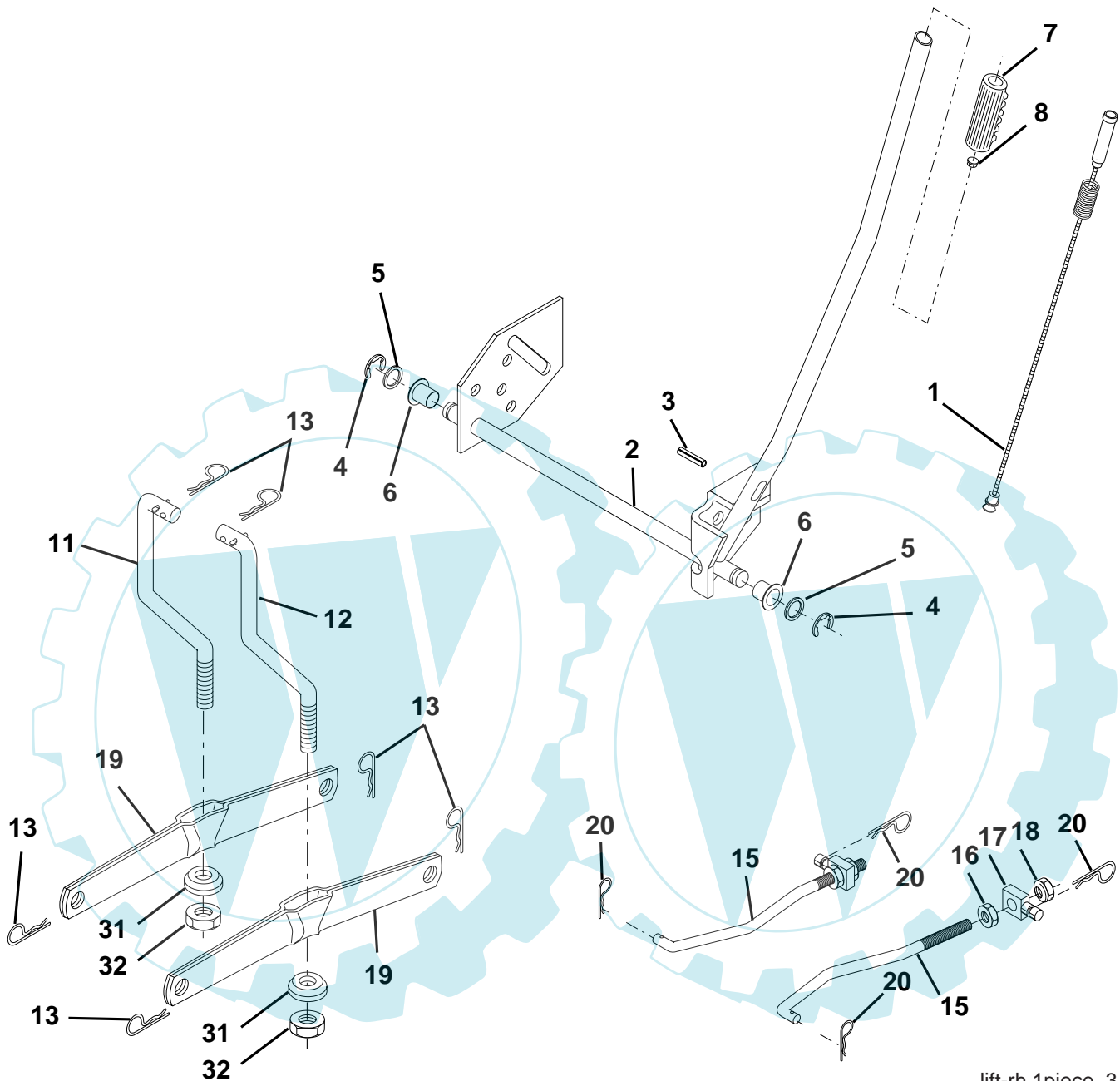
TRACTOR - - MODEL NUMBER UN135T96K (96011002100), PRODUCT NO. 960 11 00-21
MOWER DECK

KEY NO.	PART NO.	DESCRIPTION	KEY NO.	PART NO.	DESCRIPTION
1	532 17 02-80	Mower Housing Assembly	68	532 18 02-14	V-Belt
2	872 14 05-06	Bolt Carriage 5/16-18 x 3/4	86	532 12 50-74	Runner, LH
3	532 13 80-17	Bracket Asm Fr. Sway Bar	87	532 12 87-72	Runner, RH
4	532 16 99-70	Bracket Deck Sway Bar 38"/42"	88	819 11 12-16	Washer 11/32 x 3/4 x 16 Ga.
5	532 12 46-70	Retainer Spring	89	819 13 13-11	Washer 13/32 x 13/16 x 11 Ga.
6	532 17 80-24	Sway Bar Deck	96	874 93 06-20	Bolt 3/8-16 x 1-1/4
8	532 85 08-57	Bolt 3/8-24 x 1.25 Grade 8	97	873 93 06-00	Nut Centerlock 3/8-16 unc
9	810 03 06-00	Washer, Lock 3/8	98	819 13 20-16	Washer 13/32 x 1-1/4 x 16 Ga.
10	532 14 02-96	Washer, Hardened	99	810 04 06-00	Washer Lock Hvy HLCL
11	532 13 41-48	Blade Mower	100	532 13 56-51	Nut Wing Spr 3/8
13	532 13 76-45	Shaft Assembly, Mandrel, Vented (Includes Key Number 6)	101	532 13 28-03	Cover Asm Mulch
14	532 12 87-74	Housing, Mandrel, Vented	107	532 13 35-02	Spacer Retainer
15	532 11 04-85	Bearing, Ball, Mandrel	108	532 13 35-03	Stiffener, Idler Arm
16	532 17 44-93	Stripper, Mower Deck	109	874 76 06-40	Bolt, Hex Hd 3/8-16 x 2-1/2
19	532 13 28-27	Bolt, Shoulder	110	532 14 25-87	Upstop Deck Front 38"
21	873 68 05-00	Nut	113	817 06 05-12	Screw 5/16-1/ x 3/4
23	532 13 76-07	Bracket, Mower Deflector	122	532 13 12-89	Rod, Brake LH
24	532 10 53-04	Cap, Sleeve	123	532 16 99-71	Rod, Brake RH
25	532 12 37-13	Spring, Torsion, Deflector	146	532 16 58-91	Bolt Carriage Idler
26	532 11 04-52	Nut, Push	148	532 16 90-22	Spring Return Idler
27	532 17 59-43	Shield, Deflector	149	532 16 58-98	Retainer Spring Yellow
28	819 11 10-16	Washer 11/32 x 5/8 x 16 Ga.	150	819 09 12-10	Washer 9/32 x 3/4 x 10 Ga.
29	532 10 67-35	Rod, Hinge	152	532 17 27-58	Clutch Cable 38"/46"
30	532 17 39-84	Screw Thdrol. Hex	158	817 72 04-08	Screw Hex Thd Cut 1/4-20 x 5/8
31	532 18 76-90	Washer, Spacer	185	532 18 82-34	Head Asm. Cable Clutch
32	532 15 35-32	Pulley, Mandrel	--	532 13 07-94	Mandrel Assembly (Includes Housing, Shaft, and Shaft Hardware Only - Pulley Not Included)
33	532 17 83-42	Nut, Toplock	--	532 18 12-09	Mower Replacement, Complete (Std. Deck-Order separately mulcher cover components key nos. 96-101)
36	532 13 14-94	Pulley, Idler, Flat			
40	873 68 06-00	Nut, Crownlock 3/8-16 unc			
45	532 12 47-88	Retainer			
53	532 13 08-40	Brake Assembly			
54	532 17 85-15	Washer, Hardened			
55	532 13 38-40	Idler Arm Assembly			
56	532 16 57-23	Spacer, Retainer			
67	532 10 69-32	Knob			

NOTE: All component dimensions given in U.S. inches
1 inch = 25.4 mm

REPAIR PARTS

TRACTOR -- MODEL NUMBER UN135T96K (96011002100), PRODUCT NO. 960 11 00-21
MOWER LIFT



lift-rh.1piece_3

KEY NO.	PART NO.	DESCRIPTION
1	532 15 94-61	Wire Asm Inner/Sprg w/plunger
2	532 15 94-76	Shaft Asm Lift RH
3	532 17 89-81	Pin Groove
4	812 00 00-02	E Ring #5133-62
5	819 21 16-21	Washer 21/32 x 1 x 21 Ga
6	532 12 01-83	Bearing Nylon Blk 629 Id
7	532 10 94-13	Grip Handle Bicycle Matte Blk
8	532 12 45-26	Button Plunger Black
11	532 13 98-65	Link Lift LH Fixed Length
12	532 13 98-66	Link Lift RH Fixed Length
13	532 12 46-70	Retainer Spring

KEY NO.	PART NO.	DESCRIPTION
15	532 17 32-88	Link Front
16	873 35 08-00	Nut Jam Hex 1/2-13 Unc
17	532 17 56-89	Trunnion
18	873 80 08-00	Nut Lockw/Wsh 1/2-13 Unc
19	532 13 98-68	Arm Suspension Rear
20	532 16 35-52	Retainer, Spring
31	532 16 98-65	Bearing Pvt Lift
32	873 54 06-00	Nut Crownlock 3/8-24

NOTE: All component dimensions given in U.S. inches
1 inch = 25.4 mm.